

# Touring 7500 Series

## General Installation Guide



### Contents

---

General Installation guide	Page 1&2
General Wiring Diagram	Page 3

# GENERAL INSTALLTION GUIDE

## IMPORTANT!!!

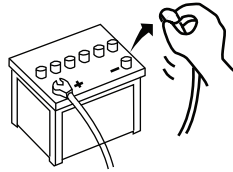
Be sure to read this installation guide thoroughly prior to installation. If installation methods or non standard parts not specified in this installation manual are used, accidents or injury may result. Professional installation is required for this system. VMS recommends installation to be completed by an authorised VMS dealer. The customer should keep this manual after installation for future reference.

### What's In The Box

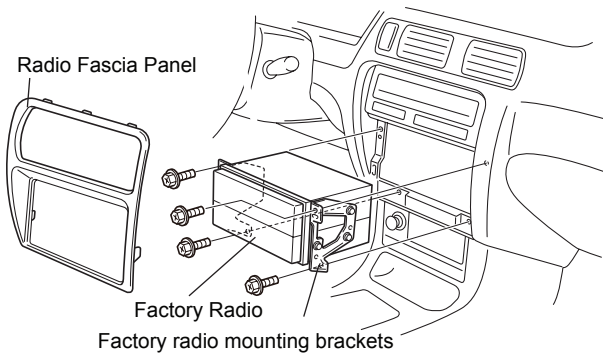
1	1 x Main Unit
2	1 x Power connector (power, speakers, camera in)
3	1 x AV / iPod / USB connector
4	1 x GPS Antenna
5	1 x Microphone
6	1 x Micro to SD adaptor
7	1 x micro SD card
8	8 x Hexagonal mounting screws (M5 x 8)

### Before Starting?

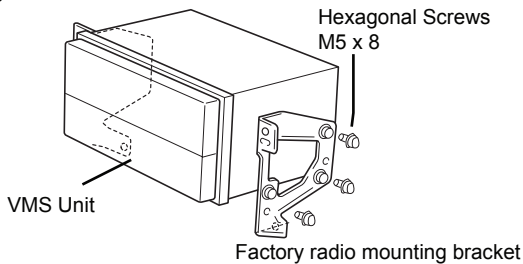
Disconnect the GND from the main vehicle battery.



### Remove Factory Radio

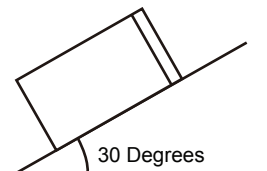


### Mounting Bracket to Main Unit



PLEASE NOTE: Some vehicles may require repositioning of the factory mounting holes in order to align the unit properly with the dash. In these cases, re-drill the mounting positions on the bracket.

To maintain proper function the unit body must be mounted at less than 30 degrees from horizontal. If the angle is excessive, CD/DVD skipping and improper ejection may be experienced.



### GPS antenna

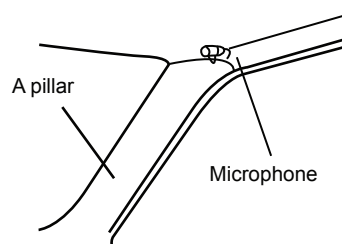
Ensure the antenna has a clear view of the sky. Attach Antenna to dash surface with double sided adhesive pad. (not provided)



- Select a location that is at least 30 cms from the body of the unit, otherwise the accuracy of the GPS will decrease.  
- If installing the GPS antenna inside the vehicle, the installation location & shape of the vehicle's cabin can decrease the sensitivity and accuracy of the GPS signal. Accuracy is generally lower and GPS lock times are generally longer when the antenna is placed in the cabin.

### Bluetooth Microphone

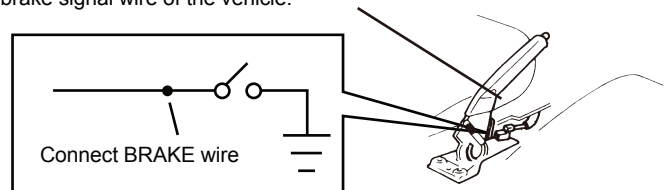
Ensure the microphone is mounted securely.



- Install the microphone and microphone wire where it cannot interfere while driving.
- Do not install microphone where it can interfere with switches in the vehicle.
- If installing into a vehicle equipped with airbags, ensure all parts of the microphone do not interfere with airbag operation.

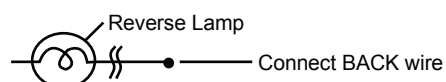
### Park Brake Connection (example)

Connect the BRAKE wire (BLUE / WHITE) on the power loom to the park brake signal wire of the vehicle.



### Reverse Wire connection (example)

If fitting a reverse camera, connect the BACK wire (BLUE)

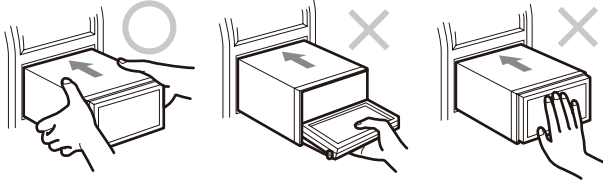


## Connectivity

Connect all wiring on the back of the head unit including:

- Power & Speaker Loom
- AV Loom
- GPS Antenna
- iPod Cable / AUX cable
- Mini USB update cable
- Bluetooth Module

## Install unit Into Dash



Do not press front fascia buttons with force, they may dislodge.

## Connect Ground Terminal on Battery

Re-connect the GND terminal on the main vehicle battery.

## Functionality Test

To ensure the installation is successful and all functions of the system are operational, drive the vehicle into an open area with a clear view of the sky and turn the ignition to the on position.

Complete the following quality assurance checklist.

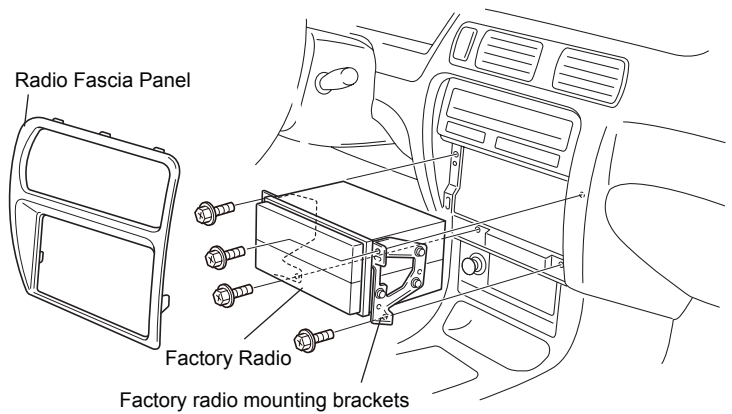
### QUALITY ASSURANCE CHECKLIST

- Powers on and off with ignition.
- Scan and store both FM and AM radio stations.
- Insert and eject CD/DVD.
- iPod connectivity.
- iPod functionality.
- USB connectivity (to USB flash disk).
- Reverse Camera is operational.
- Bluetooth is operational.
- System audio volume is operational.
- BASS/TREBLE, FADE/BAL is operational.
- Navigation is operational with GPS lock.

Check default settings.

- Auto display GPS screen = OFF.
- GPS Audio = ON.
- iPod = ON.
- AUTO DIMMING = ON.
- REAR ENTERTAINMENT = ON.
- CDC MULTIDISCS = ON.
- BRAKE INSPECTION = ON.
- REVERSE CAMERA = ON.
- STEERING WHEEL BUTTON = ON.
- GPS COLD START = OFF.
- STEERING WHEEL KEY = Matches the vehicle & SW functions are operational.

## Refit radio fascia panel.



Ensure connections at the rear of unit are secure with no pressure applied on any connections. Excessive pressure may result in damaging the connection lead or breaking the connection from the unit itself.

## WARNING!!!

- This system is designed for 12-volt DV operation, negative grounded Vehicles only. Never install into a 24-Volt vehicle such as commercial trucks or diesel vehicles with cold region specifications. If unsure, contact the manufacturer of the vehicle.
- Do not place any plastic storage bags over a person's head. This may cause suffocation or death.
- Keep small parts such as screws and brackets out of reach of children.
- Do not disassemble, rebuild or alter the product. Sophisticated electronic components internally may cause injury, fire or electric shock.
- When it is necessary to replace the fuse, always use a fuse of the correct ratings (no. of amperes) Inappropriate fuses may cause a fire.
- Do not operate the product after experiencing a problem. Doing so will cause further damage to the product and may lead to fire, or electric shock.

If an abnormal situation occurs, such as foreign matter entering the product or it comes into contact with liquids, smoke or strange odors are emitted, power off the product immediately and consult the dealer where the product was purchased. Continued operation may cause injury, fire or electrical shock.

# WIRING DIAGRAM

